

ASSEMBLY INSTRUCTION

MODEL : MAINE 90CM STORAGE BED



WARNING !

The packaging and contents can be a choking hazard, therefore keep them away from small children and babies as they may choke on them.



Safe and Care Advice

Important - Please read these instructions fully before starting assembly

- Check you have all the components and tools listed.
- Remove all fittings from the plastic bags and separate them into their groups.
- Keep children and animals away from the work area, small parts could choke if swallowed.
- Make sure you have enough space to lay out the parts before starting.
- Do not stand or put weight on the product, this could cause damage.
- Assemble the item as close to its final position (in the same room) as possible.
- Assemble on a soft level surface to avoid damaging the unit or your floor.
- Parts of the assembly will be easier with 2 people.



- We do not recommend the use of power drills/drivers for inserting screws as this could damage the unit. Only use hand screwdrivers.
- Dispose all packaging carefully and responsibly.

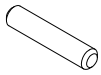
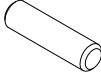
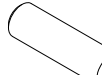
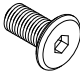
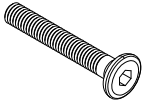
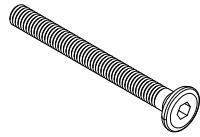


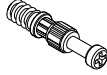
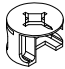


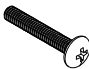


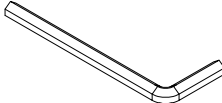
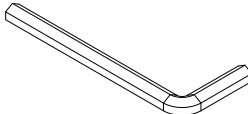

Glue safety - Take care when using glue, please follow the advise below

- Skin contact :
Remove contamination by washing with soap and water. This procedure should also be followed prior to eating and drinking.
- Eye contact :
Rinse immediately with clean water for 15 minutes and seek medical advise.
- If swallowed :
Seek medical advise immediately.

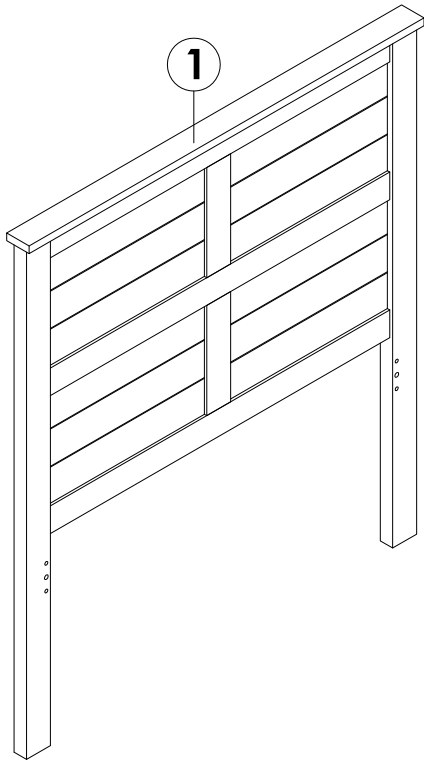
Care and maintenance

- Only clean using a damp cloth and mild detergent, do not use bleach or abrasive cleaners.
- From time to time check that there are no loose screws on this unit.
- This product should not be discarded with household waste. Take to your local authority waste disposal center.

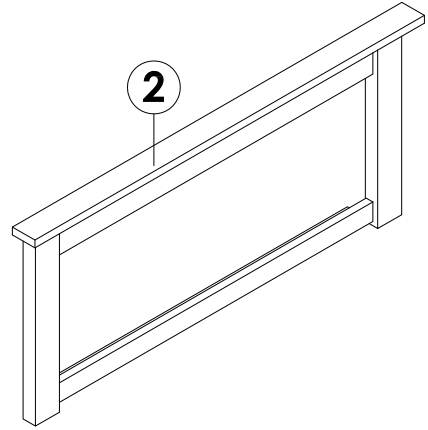
HARDWARE LIST BED

A  16 PCS PLASTIC DOWEL (M6 x 30MM)	B  12 PCS PLASTIC DOWEL (M8 x 30MM)	C  2 PCS PLASTIC DOWEL (M10 x 35MM)
D  4 PCS JCBB BOLT (M8 x 16MM)	E  8 PCS JCBC BOLT (M6 x 40MM)	F  4 PCS JCBC BOLT (M6 x 60MM)
G  12 PCS JRN NUT (M6 x 13MM)	H  4 PCS JCBC W SCREW (M7 x 32MM)	J  22 PCS CONNECTING BOLT (24MM)
K  16 PCS MINIFIX (9MM)	L  6 PCS MINIFIX (12MM)	M  14 PCS CSK C/B SCREW (M4 X 32MM)
N  4 PCS P/H M SCREW (M4 X 25MM)	P  18 PCS EURO NYLON	Q  4 PCS KNOB FULL MOON LEP 9011-NH
R  1 PC ALLEN KEY (M4 X 60MM)	S  1 PC ALLEN KEY (M5 X 60MM)	 <p>Do not recommend the use of power drills/drivers for inserting bolts/screws as this could damage the unit.</p> <p>Tools Required : Crosshead Screw Driver</p>

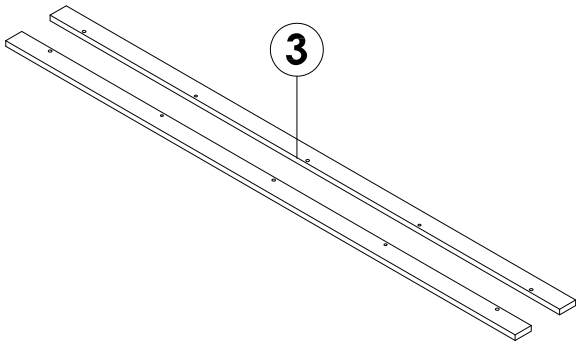
PART LIST



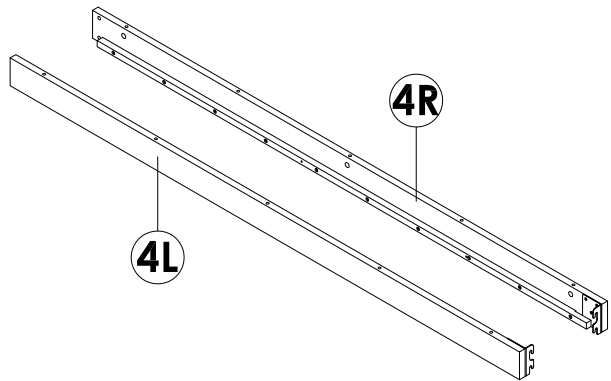
HEADBOARD
(1 PC / SET)
CARTON 1 OF 3



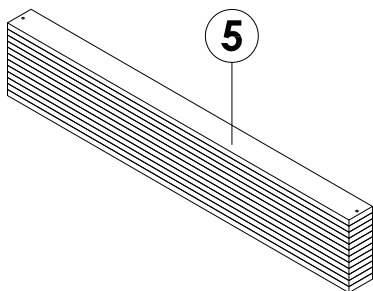
FOOTBOARD
(1 PC / SET)
CARTON 1 OF 3



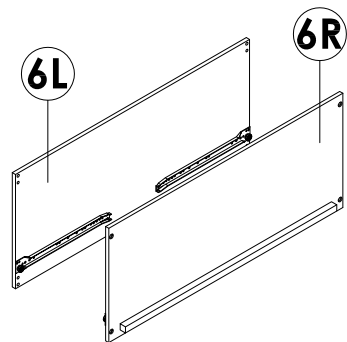
SIDE RAIL TOP
(2 PCS / SET)
CARTON 2 OF 3



SIDE RAIL (L/R)
(2 PCS / SET)
CARTON 2 OF 3

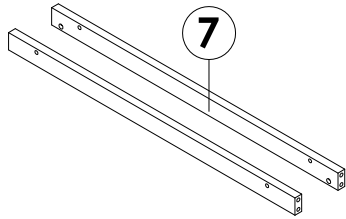


WOODEN SLAT
(12 PCS / SET)
CARTON 1 OF 3

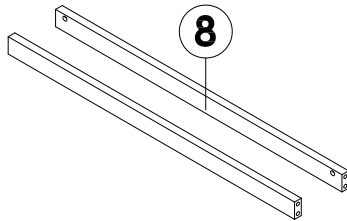


SIDE PANEL (L/R)
(2 PCS / SET)
CARTON 3 OF 3

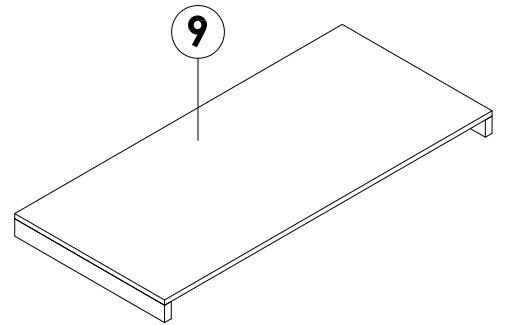
PART LIST



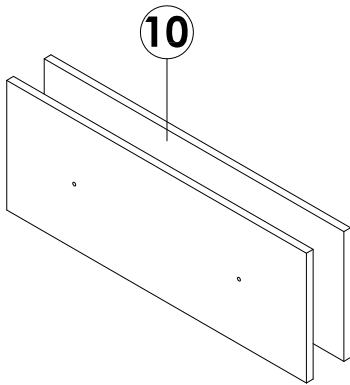
TOP RAIL
(2 PCS / SET)
CARTON 3 OF 3



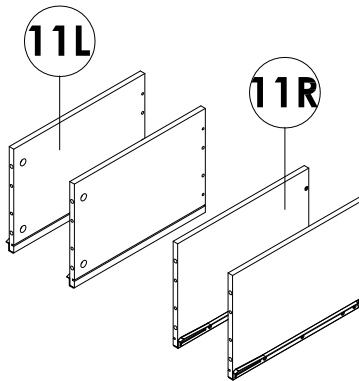
BOTTOM RAIL
(2 PCS / SET)
CARTON 3 OF 3



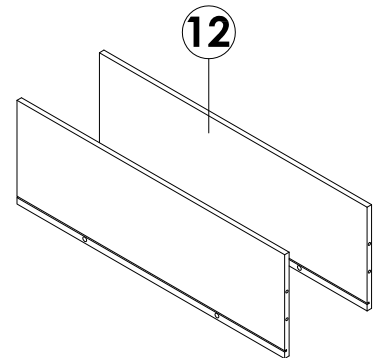
BASE PANEL
(1 PC / SET)
CARTON 3 OF 3



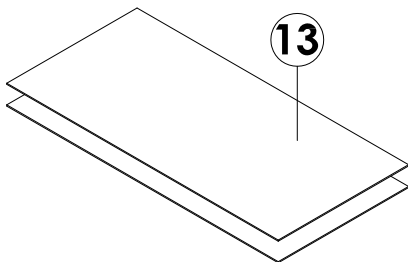
DRAWER FACE
(2 PCS / SET)
CARTON 3 OF 3



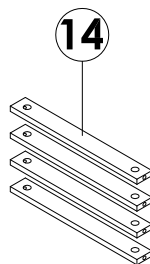
DRAWER SIDE (L/R)
(4 PCS / SET)
CARTON 3 OF 3



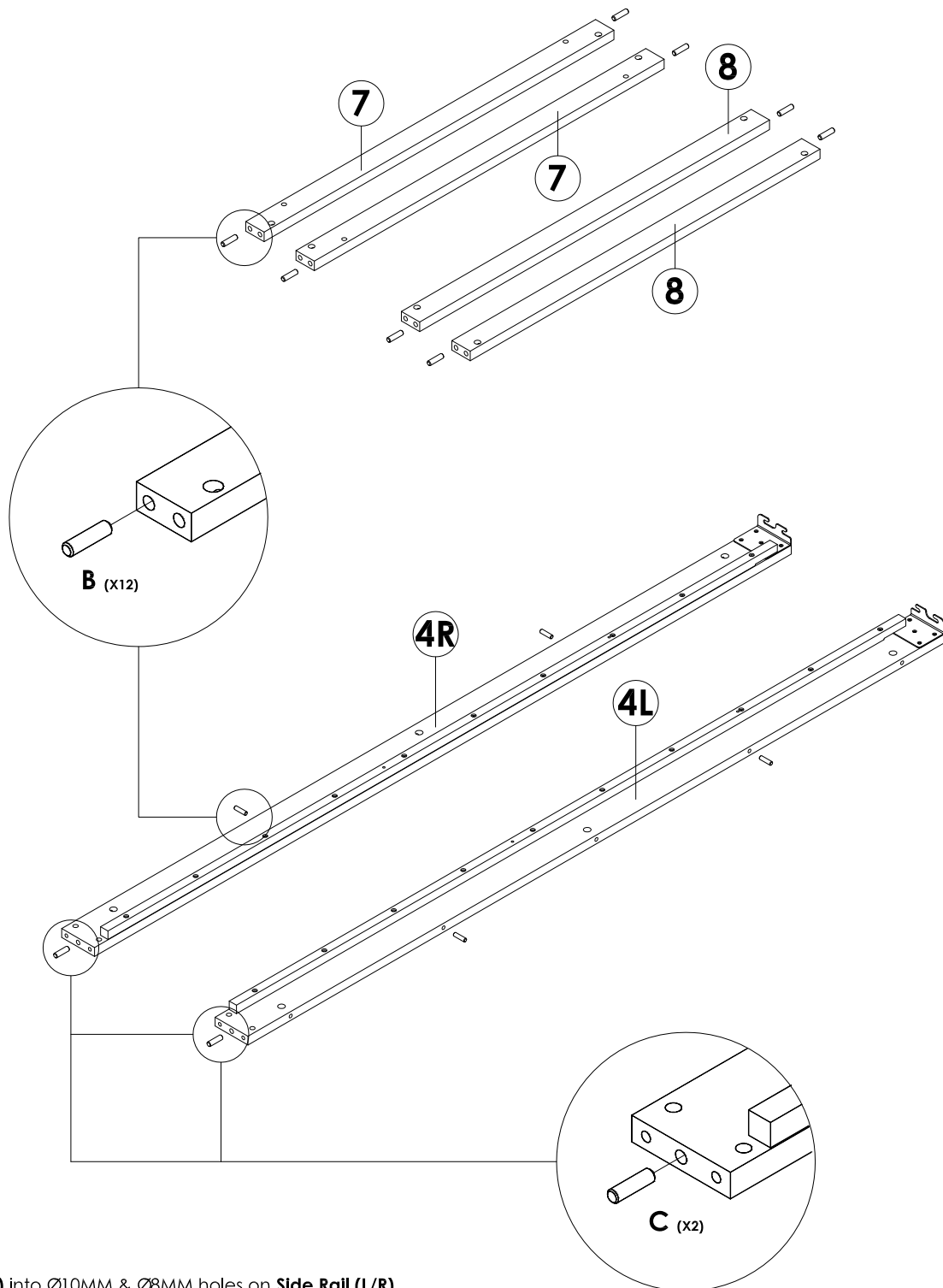
DRAWER REAR
(2 PCS / SET)
CARTON 3 OF 3



DRAWER BASE
(2 PCS / SET)
CARTON 3 OF 3

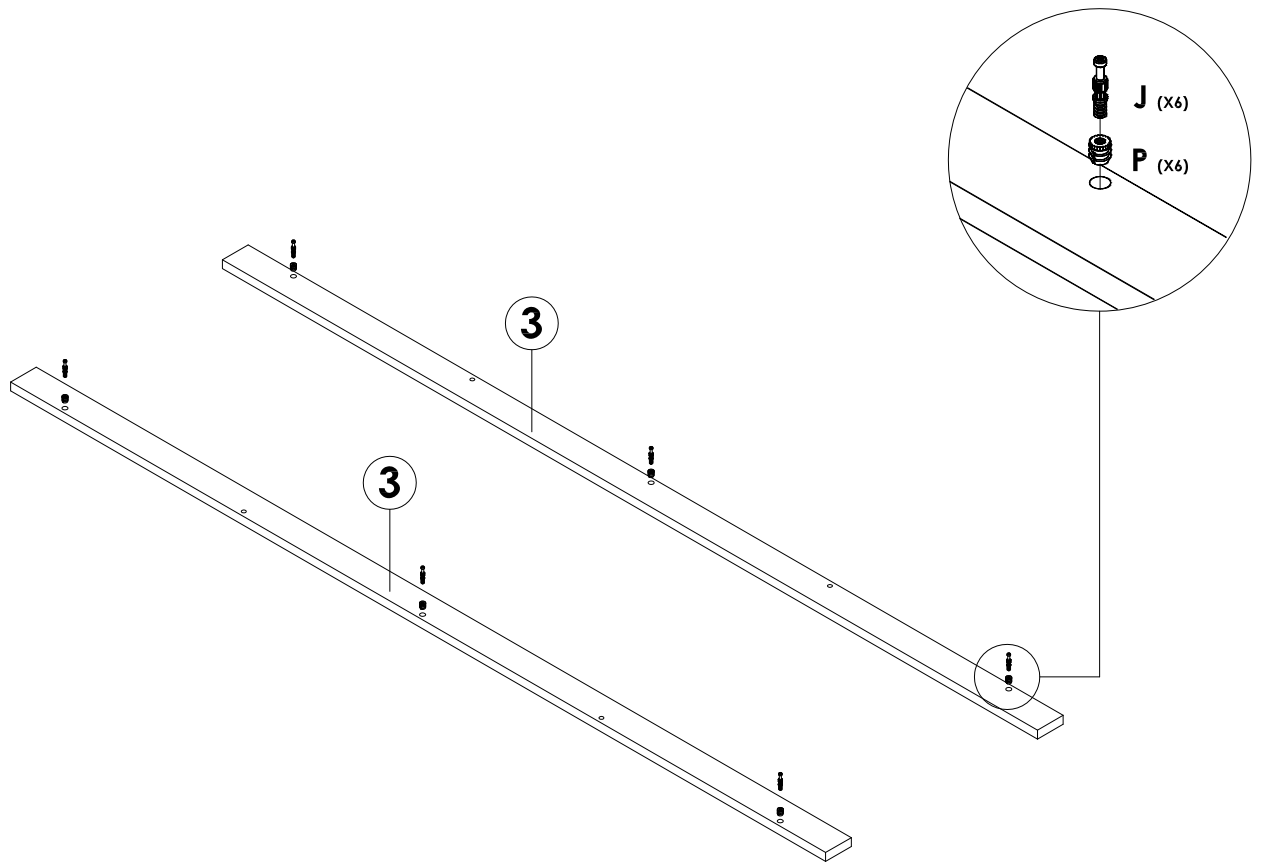


DRAWER SUPPORT BASE
(4 PCS / SET)
CARTON 3 OF 3



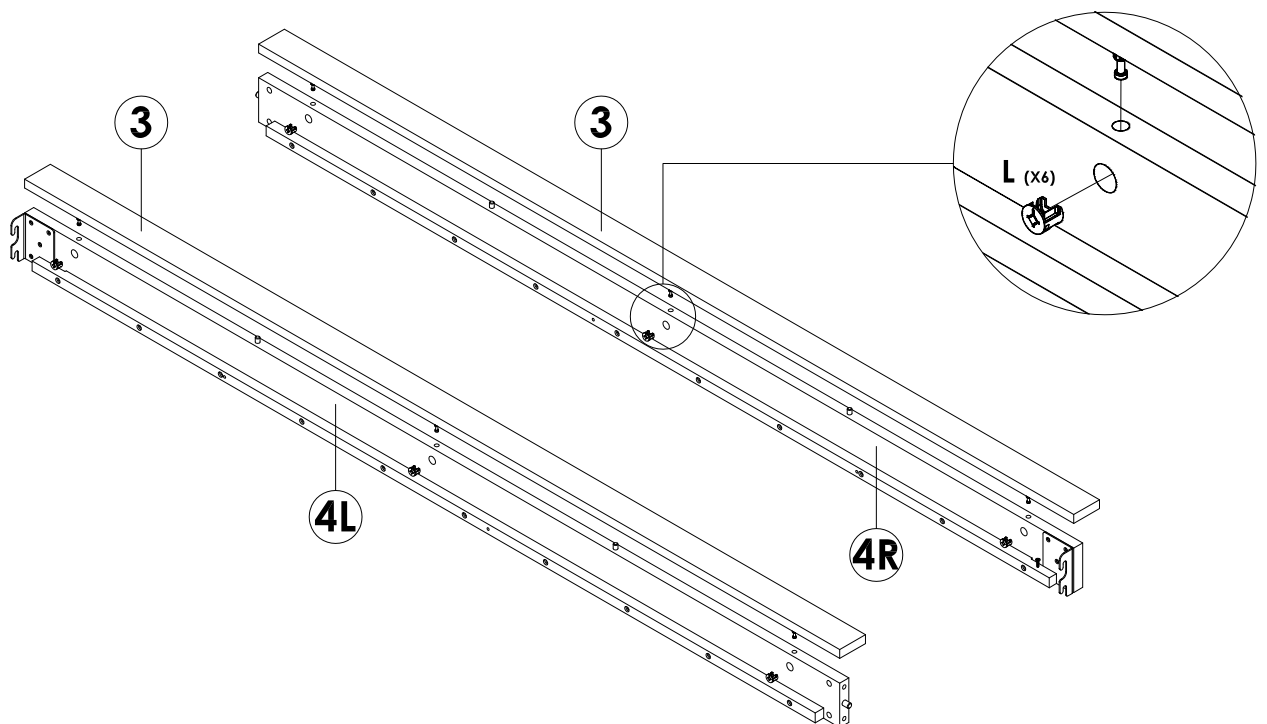
STEP 1

Insert **(B)** & **(C)** into $\varnothing 10\text{MM}$ & $\varnothing 8\text{MM}$ holes on **Side Rail (L/R)**, **Top Rail** and **Bottom Rail**.



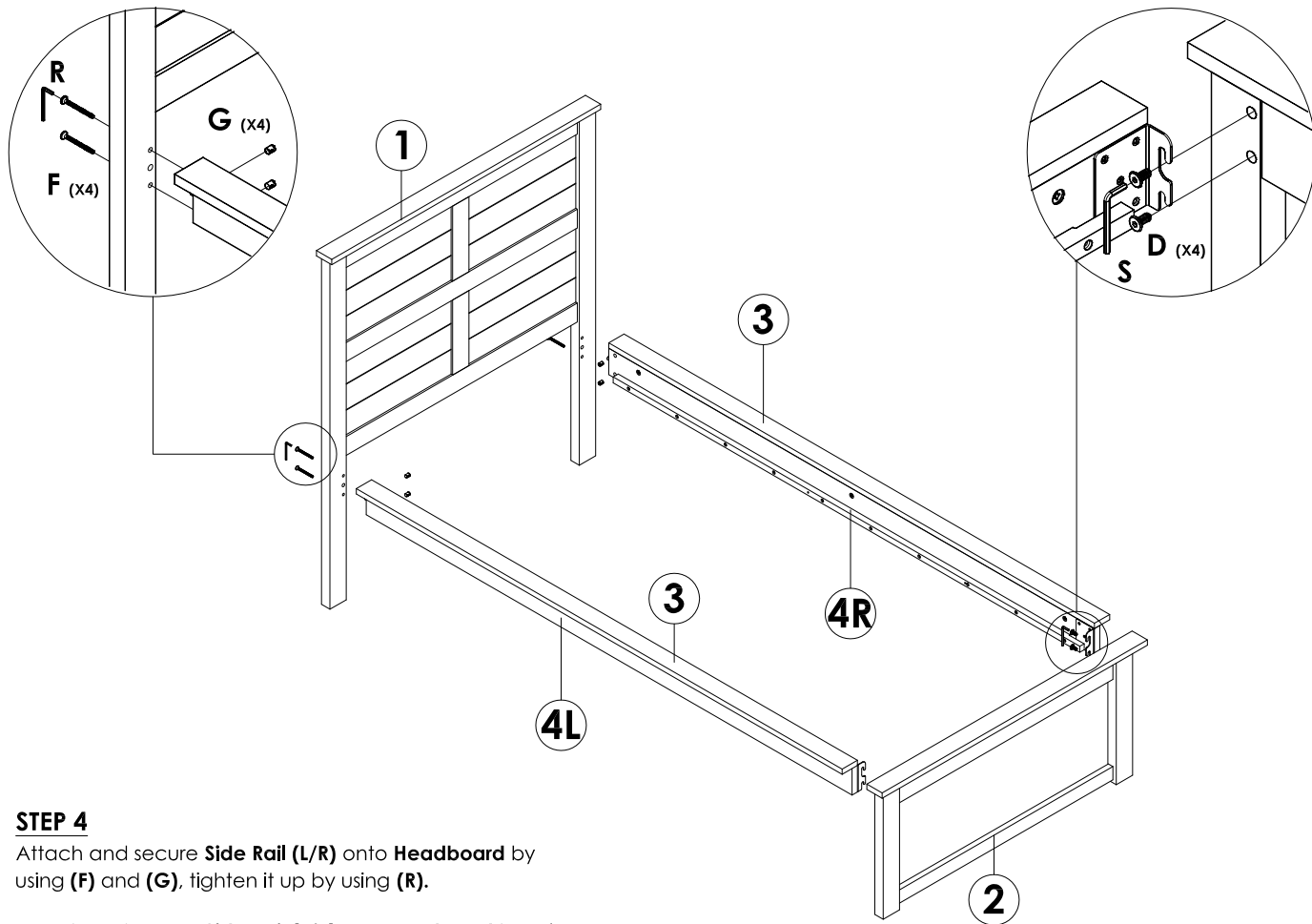
STEP 2

Insert (**J**) and (**P**) into Ø10MM holes on **Side Rail Top** tighten it up by using Crosshead Screw Driver.



STEP 3

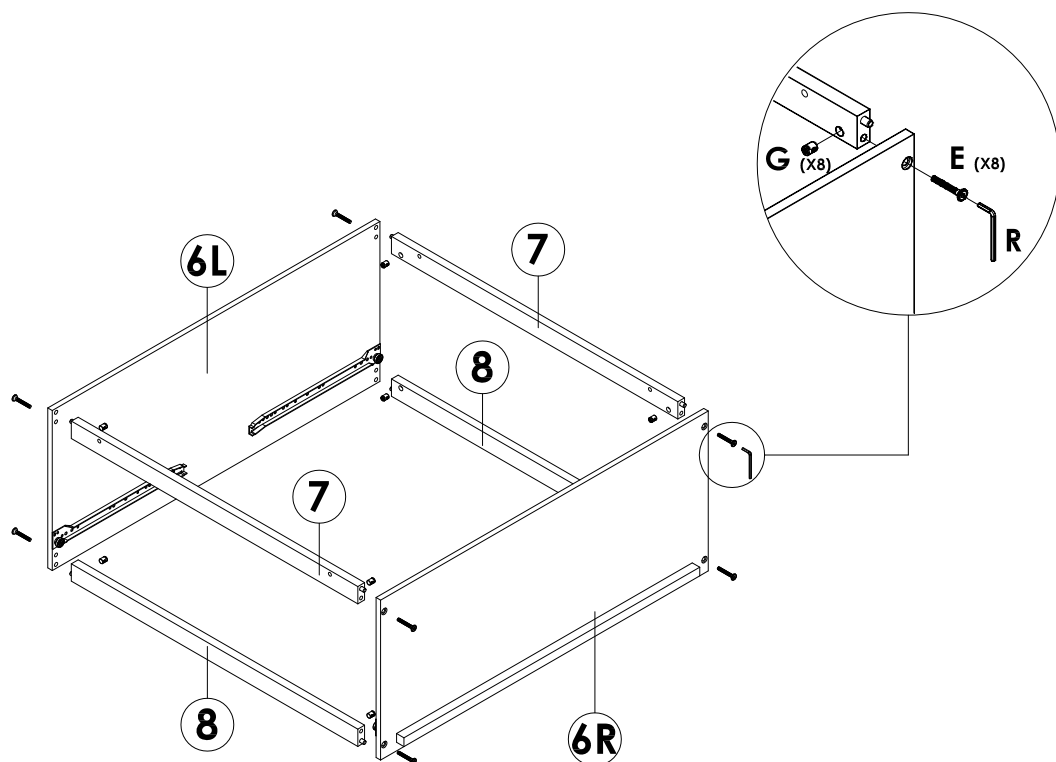
Attach and secure **Side Rail Top** onto **Side Rail (L/R)** and insert (**L**), tighten it up by using Crosshead Screw Driver.



STEP 4

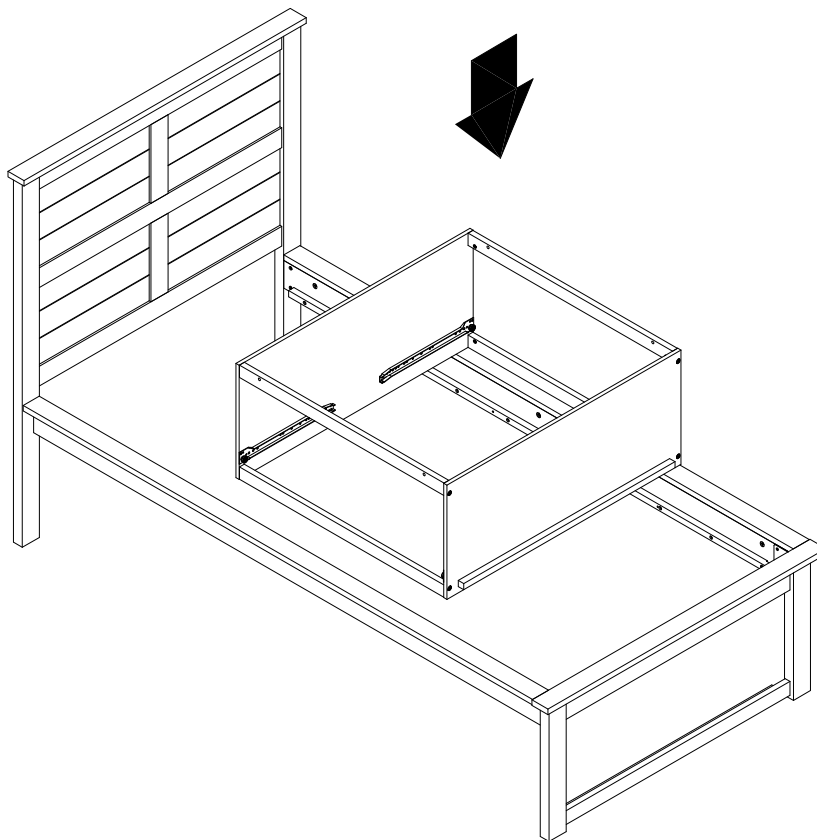
Attach and secure **Side Rail (L/R)** onto **Headboard** by using **(F)** and **(G)**, tighten it up by using **(R)**.

Attach and secure **Side Rail (L/R)** onto **Footboard** by using **(D)**, tighten it up by using **(S)**.



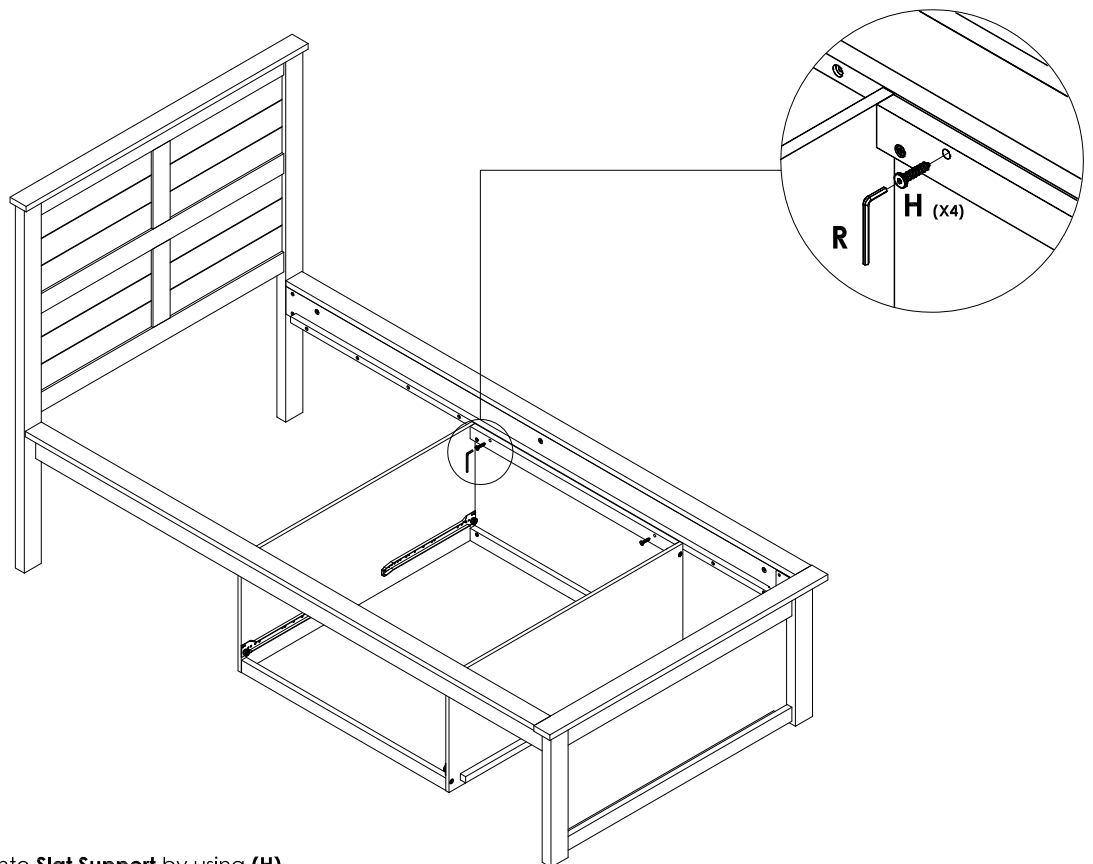
STEP 5

Attach and secure **Top Rail** and **Bottom Rail** onto **Side Panel (L/R)** by using **(E)** and **(G)**, tighten it up by using **(R)**.



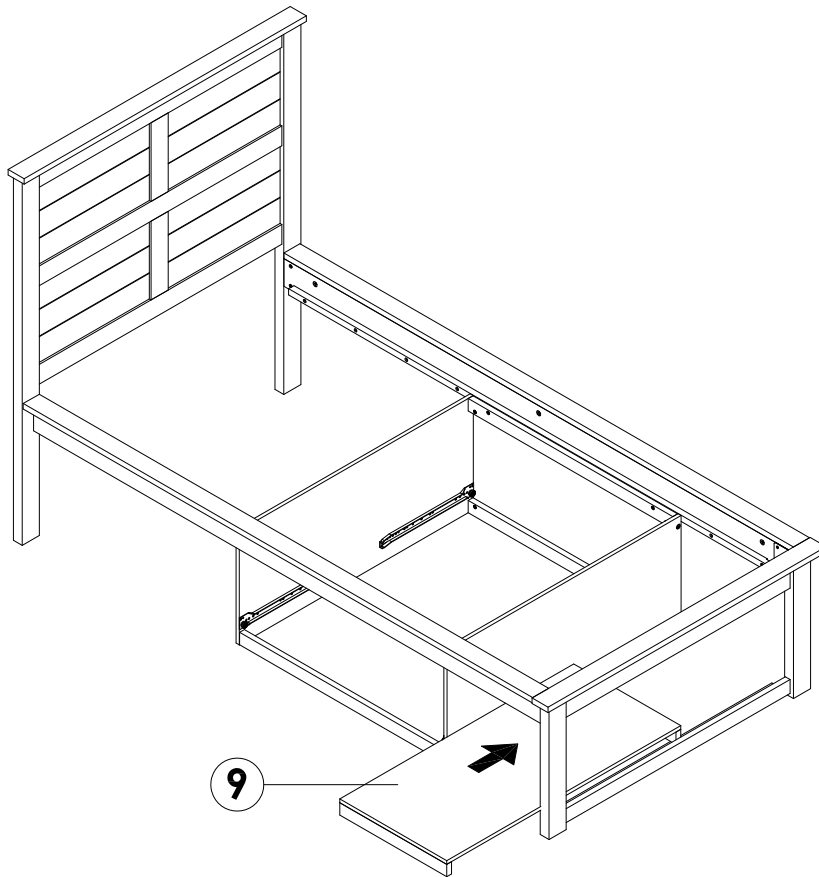
STEP 6

Insert **Box Drawer** into **Bed**.



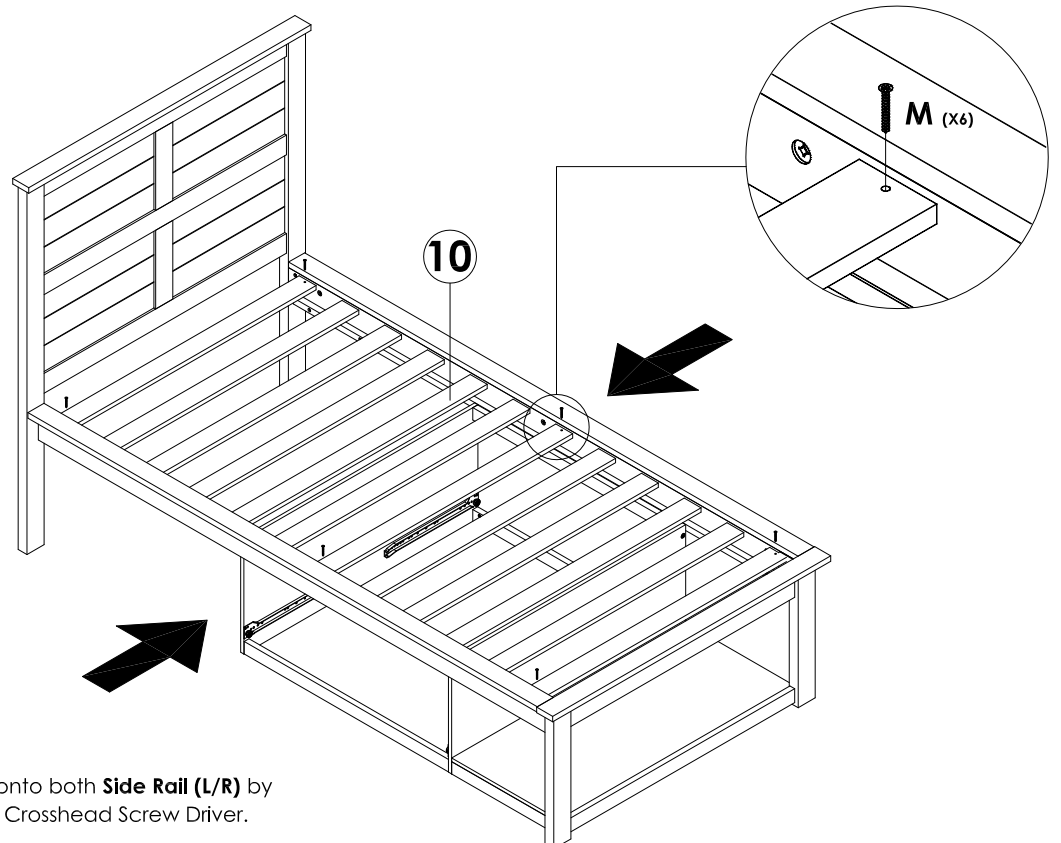
STEP 7

Attach and secure **Top Rail** onto **Slat Support** by using **(H)**,
tighten it up by using **(R)**.



STEP 8

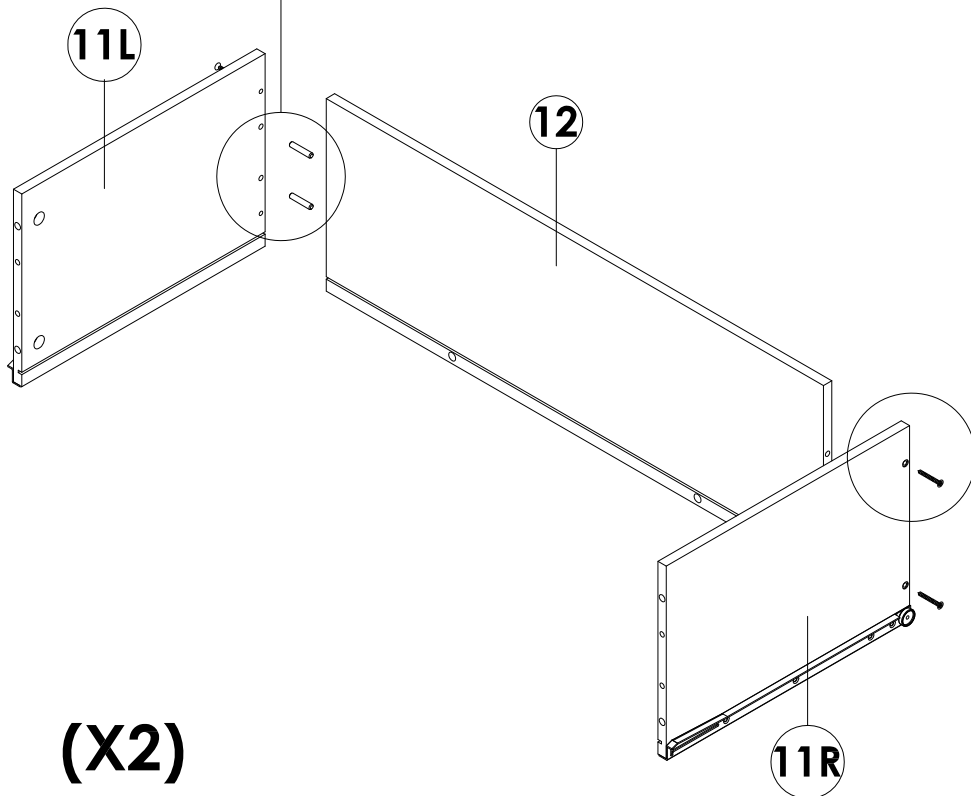
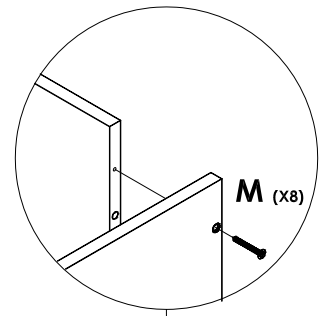
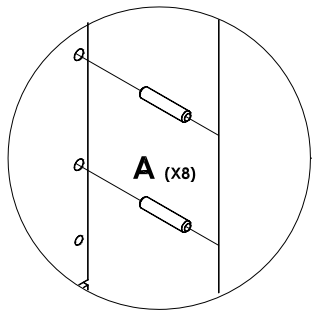
Slot **Base Panel** into the Foot end.



STEP 9

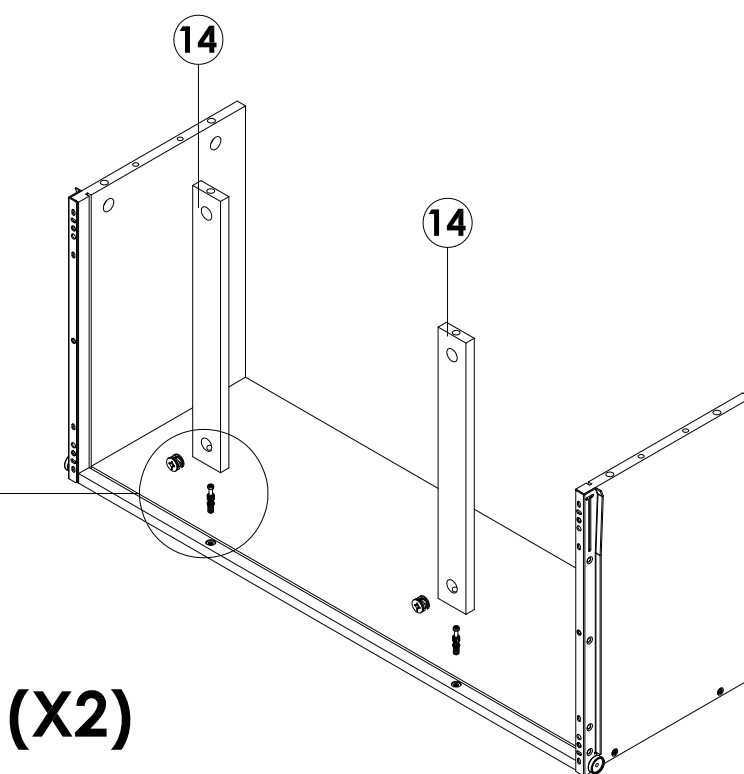
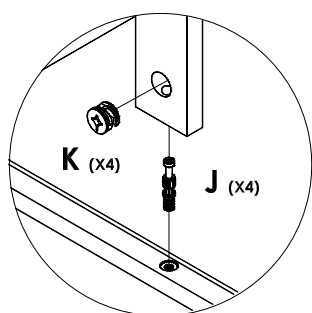
Attach and secure **Wooden Slat** onto both **Side Rail (L/R)** by using **(M)**, tighten it up by using a Crosshead Screw Driver.

* Align both **Side Rail (L/R)** before tightening the screws.



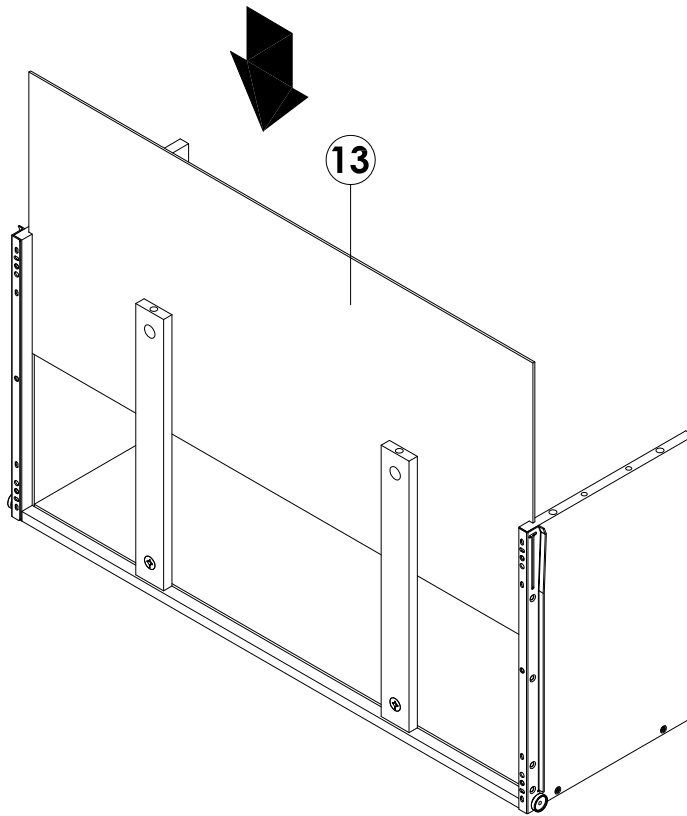
STEP 10

Attach **Drawer Side (L/R)** onto **Drawer Rear** by using **(A)** and **(M)**, tighten it up by using crosshead screw driver.



STEP 11

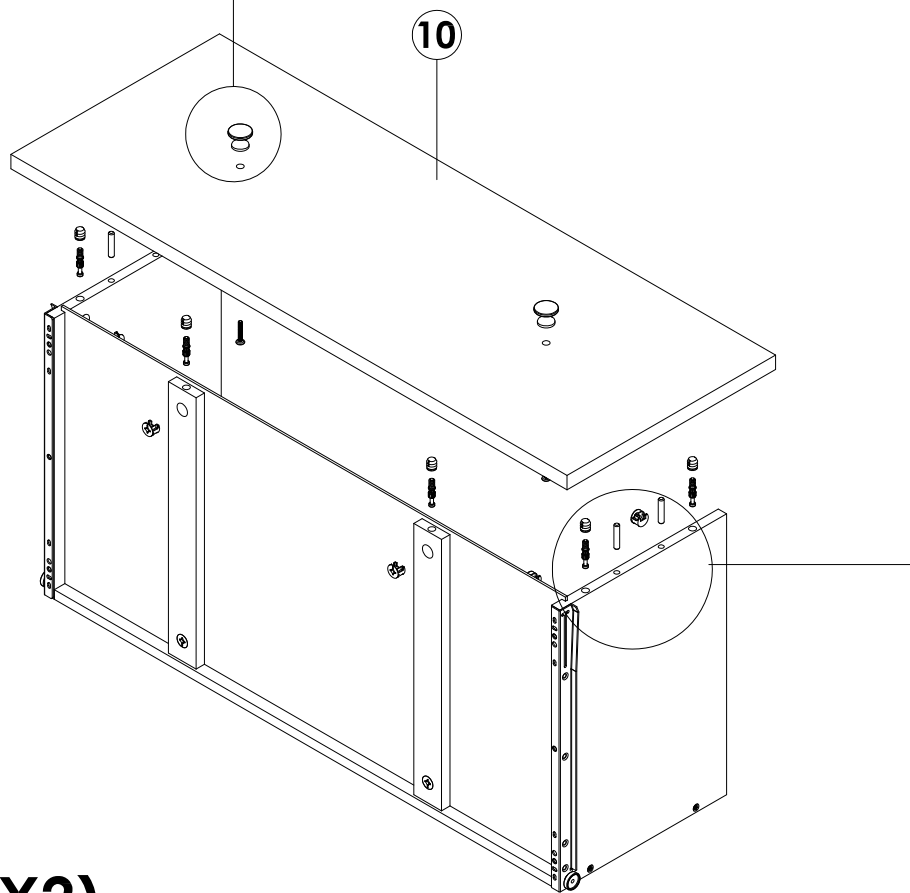
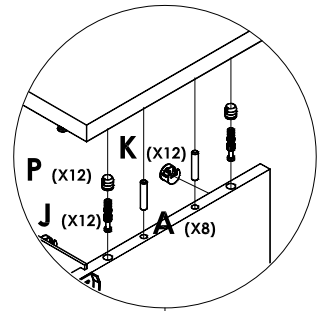
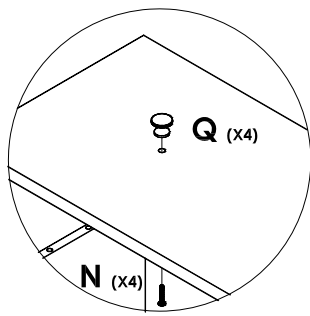
Attach **Drawer Base Support** onto **Drawer Rear** by using **(J)** and **(K)**, tighten it up by using crosshead screw driver.



(X2)

STEP 12

Slot **Drawer Base** into **Drawer Side (L/R)**.

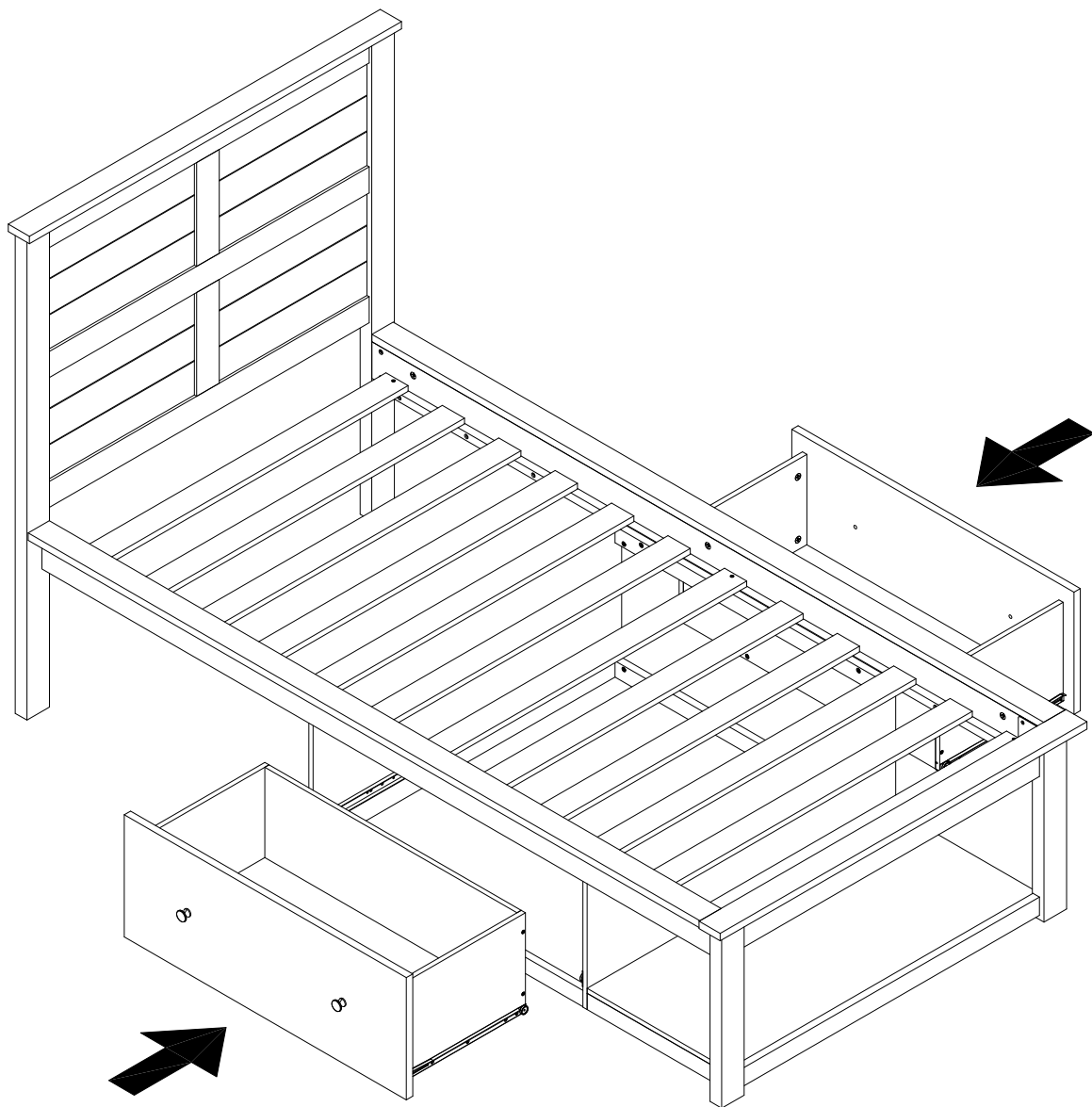


(X2)

STEP 13

Attach **Drawer Face** onto both **Drawer Side (L/R)** by using **(A)**, **(J)**, **(P)** and **(K)**.

Follow that up by attaching and securing **(Q)** onto **Drawer Face** by screwing **(N)** in from behind, tighten it up by using crosshead screw driver.



STEP 14

Insert **Drawers** into **Box Frame**. Go on to complete the entire assembly.